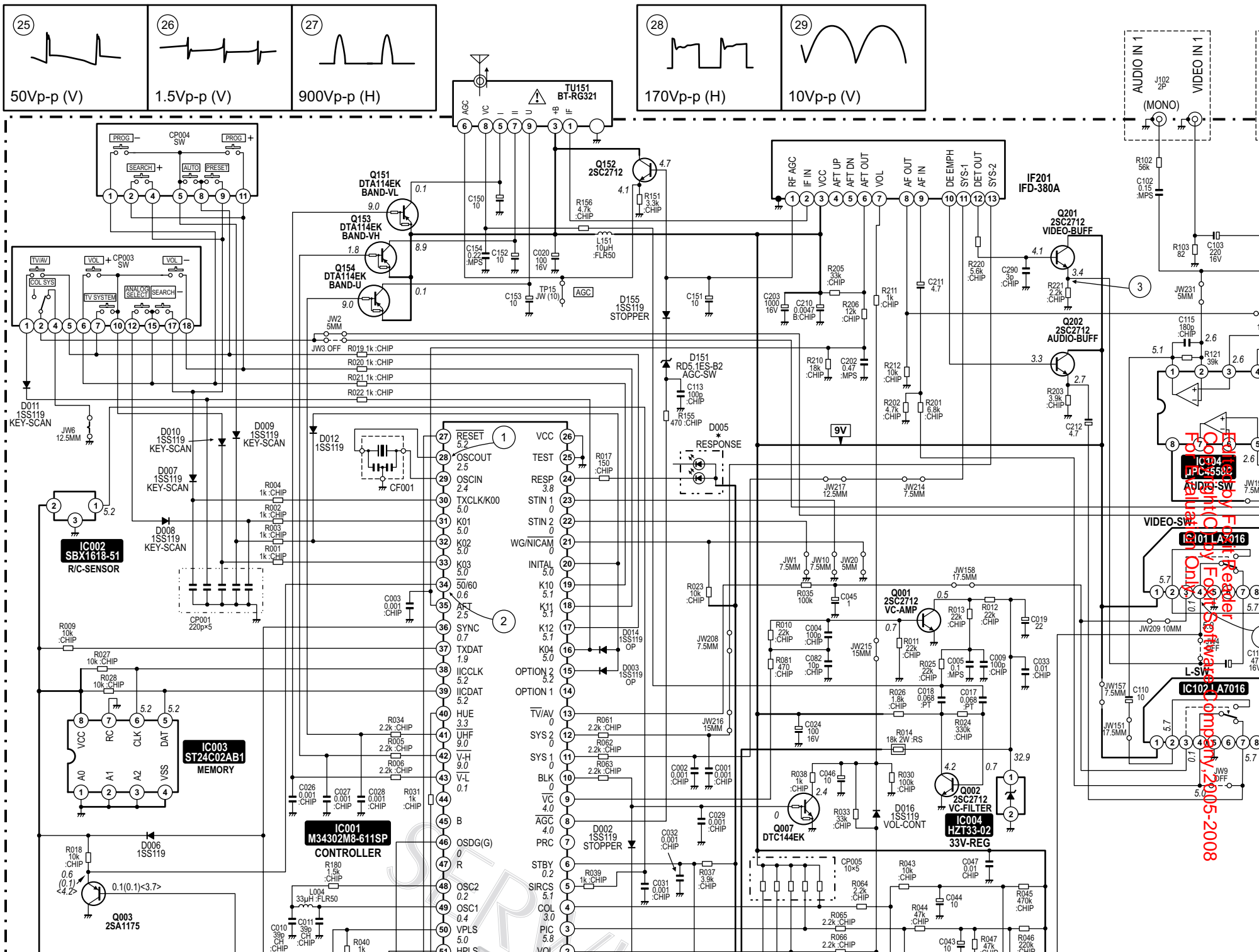
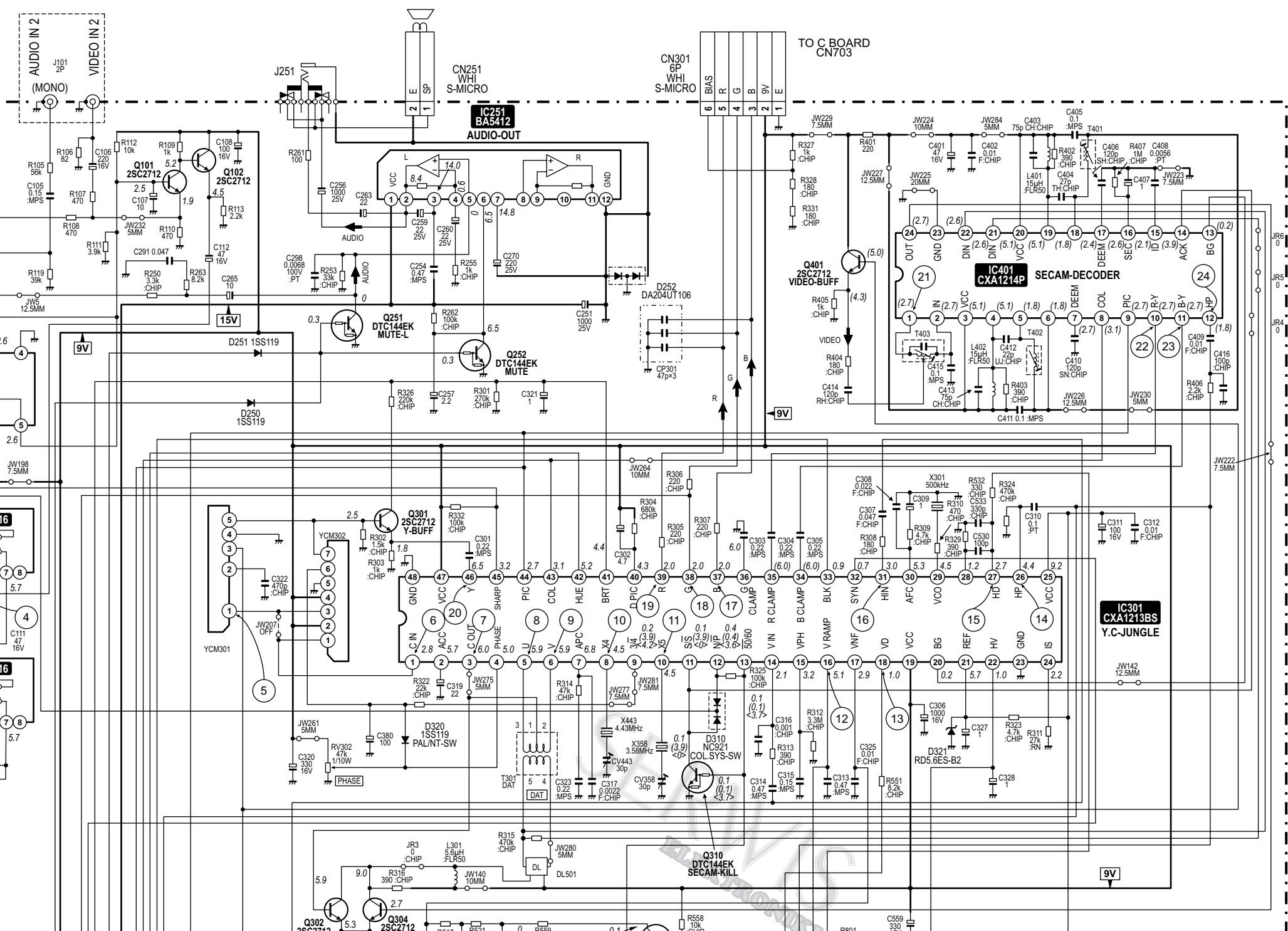


OTVC Sony KV-2185MT, KV2185MTJ chassis G3E



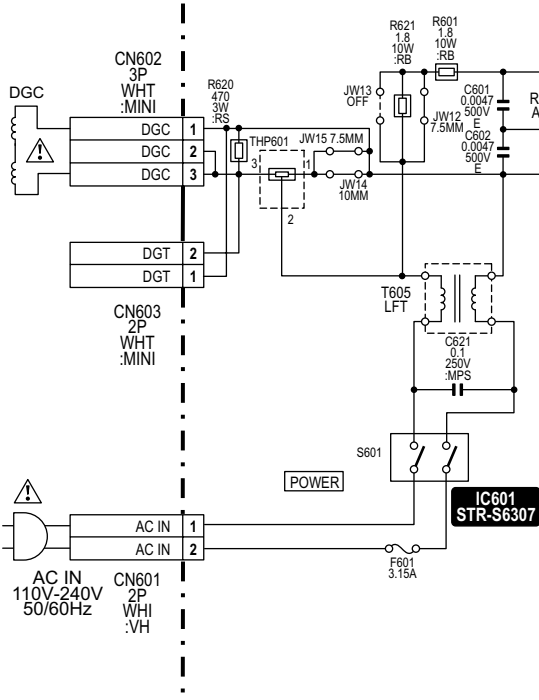
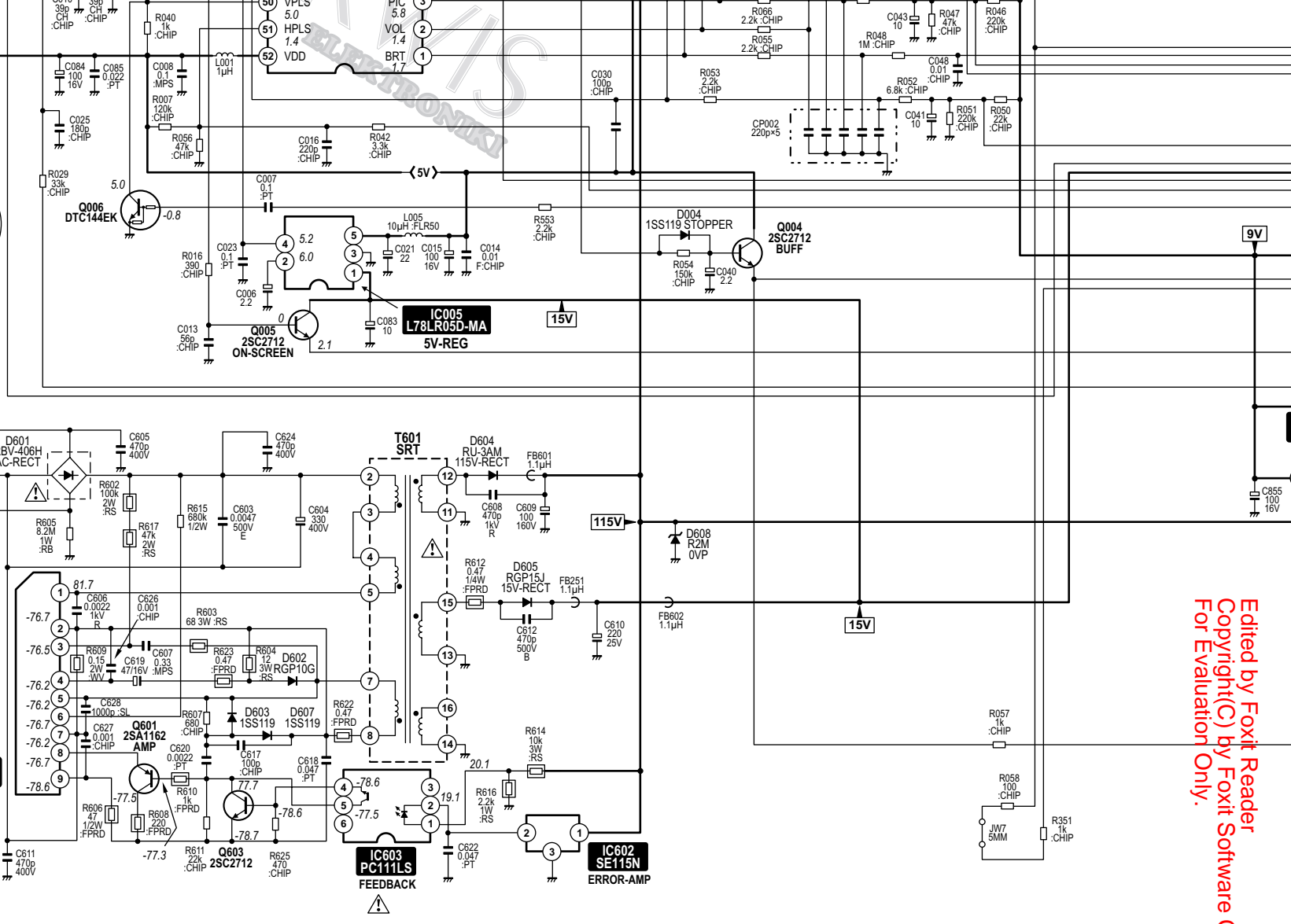
Copyright © by Foxit Software Company, 2005-2008



Edited by Foxit Reader
 Copyright(C) by Foxit Software Company, 2005-2008
 For Evaluation Only.

A

(SYS CONTROLLER, TU, MEMORY,
IF, Y/C, JUNGLE, H/V OUT,
POWER SUPPLY, SECAM DECODER,
AUDIO/VIDEO INPUT

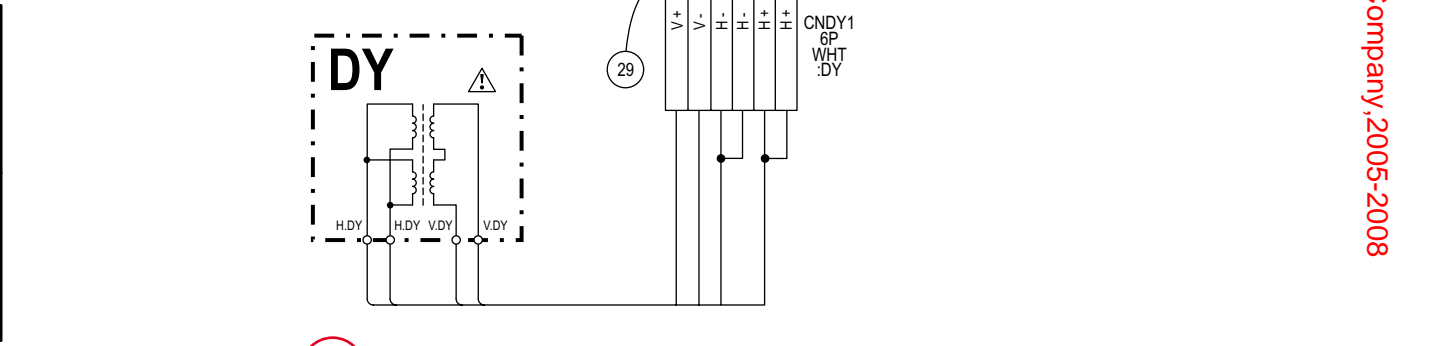
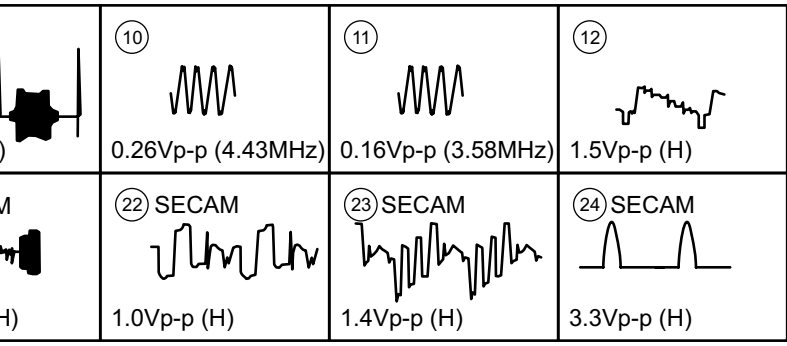
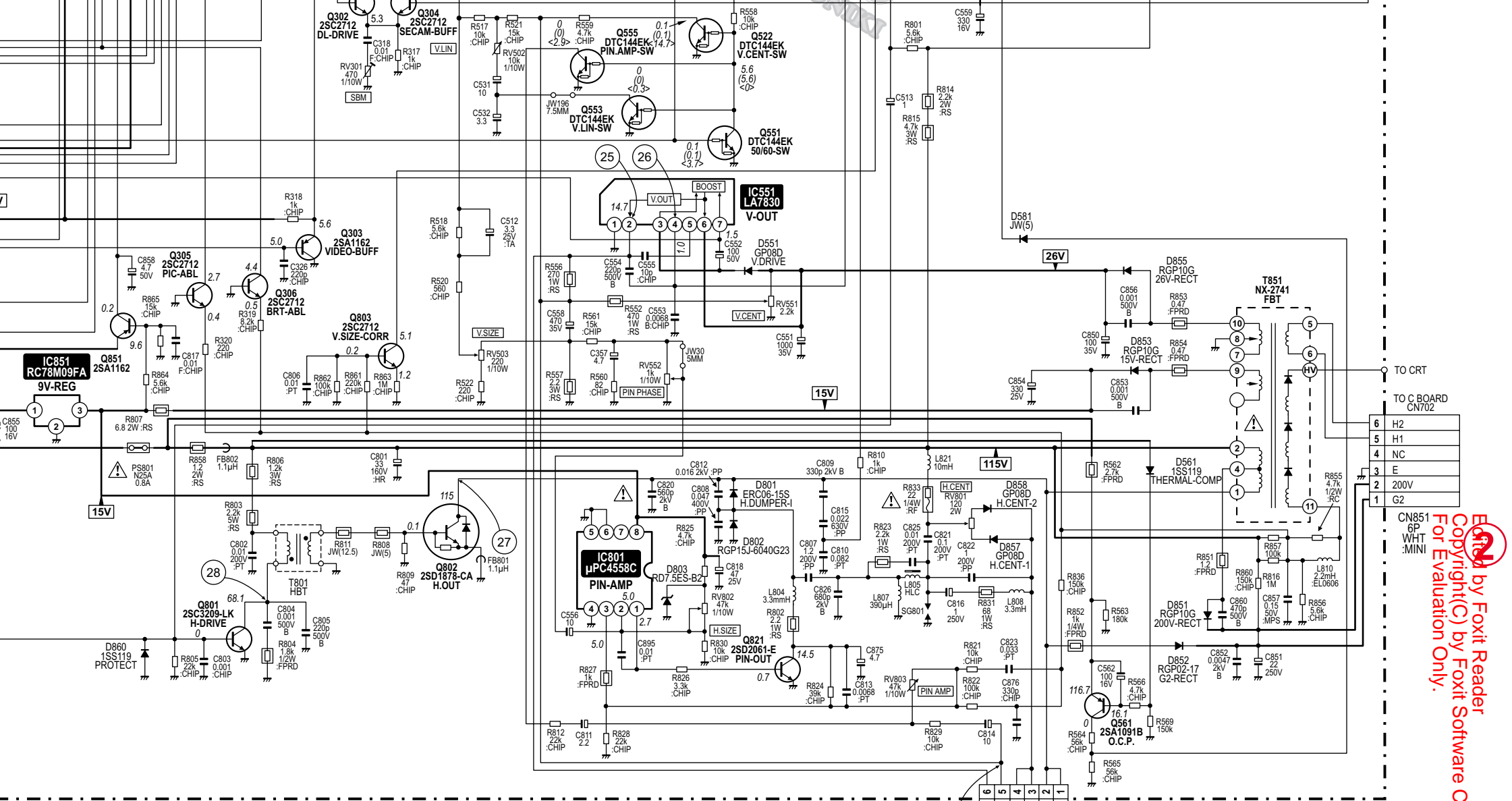


2

Edited by Foxt Reader
Copyright(C) by Foxt Software Company 2005-2008
For Evaluation Only.

<p>①</p> <p>6.0Vp-p (4.0MHz)</p>	<p>②</p> <p>0.6Vp-p (H)</p>	<p>③</p> <p>1.9Vp-p (H)</p>	<p>④</p> <p>1.9Vp-p (H)</p>	<p>⑤</p> <p>0.5Vp-p (H)</p>	<p>⑥</p> <p>0.5Vp-p (H)</p>	<p>⑦</p> <p>0.3Vp-p (H)</p>	<p>⑧</p> <p>0.45Vp-p (H)</p>	<p>⑨</p> <p>0.6Vp-p (H)</p>
<p>⑬</p> <p>2.4Vp-p (V)</p>	<p>⑭</p> <p>4.0Vp-p (H)</p>	<p>⑮</p> <p>2.0Vp-p (H)</p>	<p>⑯</p> <p>1.8Vp-p (H)</p>	<p>⑰</p> <p>4.0Vp-p (H)</p>	<p>⑱</p> <p>4.0Vp-p (H)</p>	<p>⑲</p> <p>4.0Vp-p (H)</p>	<p>⑳</p> <p>0.9Vp-p (H)</p>	<p>㉑</p> <p>0.24Vp-p (H) SECAM</p>

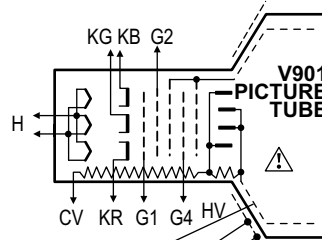
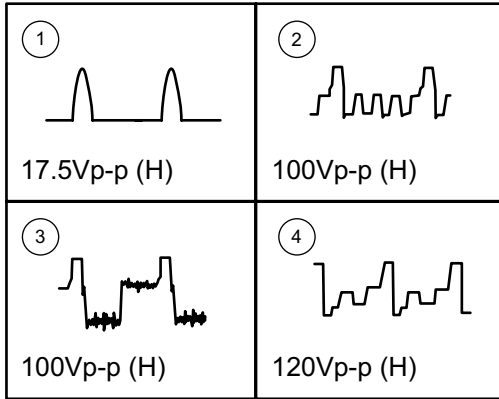
A



Copyright (C) by Foxt Software Company, 2005-2008
 For Evaluation Only.

OTVC Sony KV-2185MT, KV2185MTJ chassis G3E

• C BOARD WAVEFORMS



Note

- All capacitors are in μF unless otherwise noted. $\text{pF}:\mu\text{F}$ 50 WV or less are not indicated except for electrolytic and tantalums.
- All resistors are in ohms. $\text{k}\Omega=1000\Omega$, $\text{M}\Omega=1000\text{k}\Omega$
- Indication of resistance, which does not have one for rating electrical power, is as follows.

Pitch: 5MM
Rating electrical power 1/4W

- : nonflammable resistor
- : internal component
- : panel designation, or adjustment for repair
- All variable and adjustable resistors have characteristic curve B, unless otherwise noted.
- : earth-chassis

Note: The components identified by the mark are critical for safety. Replace only with part number specified.

Reference information:

RESISTOR	: RN	METAL FILM
	: RC	SOLID
	: FPRD	NONFLAMMABLE CARBON
	: FUSE	NONFLAMMABLE FUSIBLE
	: RS	NONFLAMMABLE METAL OXIDE
	: RB	NONFLAMMABLE CEMENT
	: RW	NONFLAMMABLE WIREWOUND
	:	ADJUSTMENT RESISTOR
COIL	: LF-8	MICRO INDUCTOR
CAPACITOR	: TA	TANTALUM
	: PS	STYROL
	: PP	POLYPROPYLENE
	: PT	MYLAR
	: MPS	METALIZED POLYESTER
	: MPP	METALIZED POLYPROPYLENE
	: ALB	BIPOLAR
	: ALT	HIGH TEMPERATURE
	: ALR	HIGH RIPPLE

- Readings are taken with a color-bar signal input. no mark: with PAL color-bar signal received. (): with SECAM color-bar signal received. < >: with NTSC3.58 color-bar signal received.
- Readings are taken with a 10M Ω digital multimeter.
- Voltage are dc with respect to ground unless otherwise noted.
- Voltage variations may be noted due to normal production tolerances.
- All voltages are in V.
- Circled numbers are waveforms references.
- : B+ bus
- : signal path (RF).

